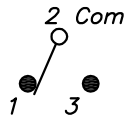


RECOMMENDED P.C.B LAYOUT



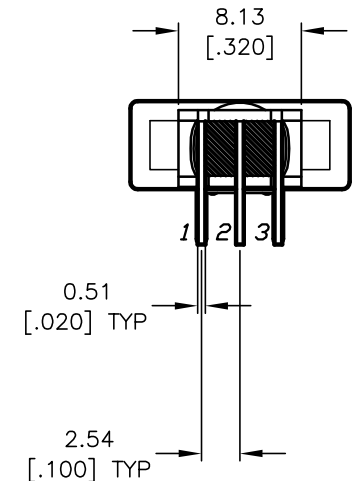
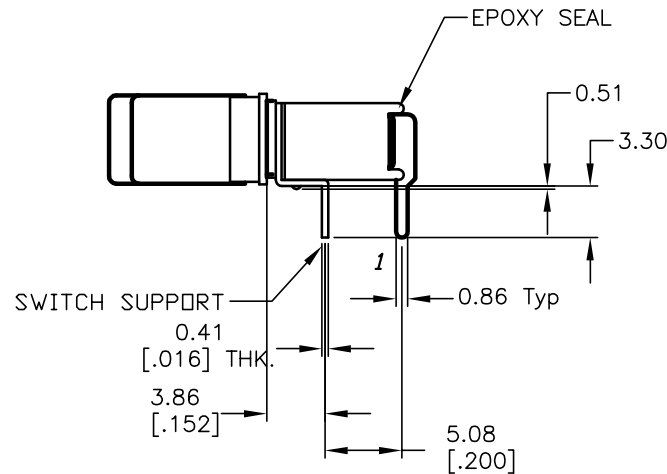
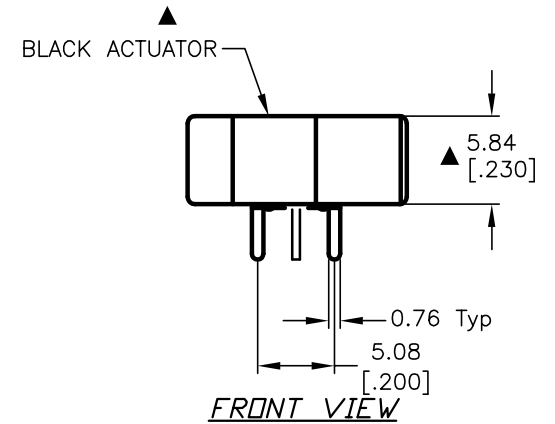
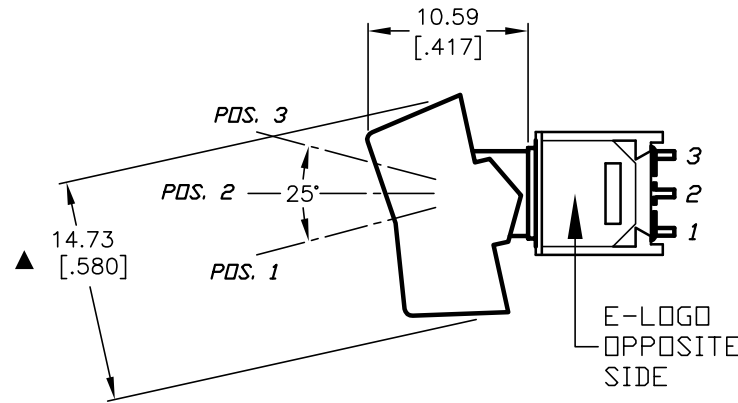
CIRCUIT: SPDT

SWITCH FUNCTION		
POS. 1	POS. 2	POS. 3
<DN>	OFF	<DN>
2-3	OPEN	2-1

<DN>=MOMENTARY

NOTES:

1. ALL DIMENSIONS IN MM[INCH]
2. GENERAL TOLERANCE: X.X=±0.4
X.XX=±0.25
3. TERM. NOS. FOR REF. ONLY
4. CONTACT RATING: 0.4VOLT AMPS MAX. @20V MAX. AC OR DC
- ▲ 5. FIXED TERMINAL & MOVING CONTACT:
BRASS W/GOLD PLATE
6. ELECTRIC LIFE: 30,000 MAKE-AND-BREAK CYCLES
AT FULL LOAD.
7. INSULATION RESISTANCE: 1,000 M OHM MIN.
8. DIELECTRIC STRENGTH: 1,000 V RMS @SEA LEVEL.
9. OPERATING TEMP.: -30°C to +85°C
10. ▲ DENOTES CRITICAL PARAMETER.



E-SWITCH®

TITLE		400MSP4R6BLK M6RE			
SCALE	DATE	DR	DWG	REV	
2:1	10/28/04	AR	T414104	A	

A	14437	RELEASED FOR PRODUCTION	10/28/04	AR
REV.	ECN No.	DESCRIPTION	DATE	CHKD

THE INFORMATION CONTAINED IN THIS DOCUMENT IS PROPRIETARY TO E-SWITCH AND IS NOT TO BE COPIED OR TRANSFERRED